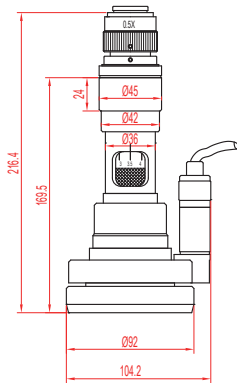


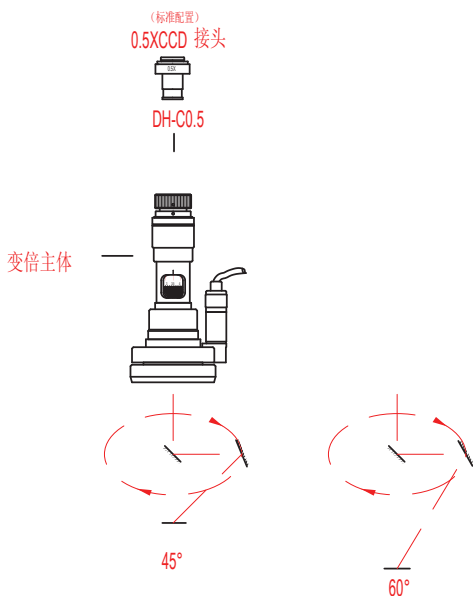
MZDR0850+SD11-D+
0.5X CCD Adapter+S10086



MZDR0850
+0.5X CCD Adapter



主机分解示意图 Main Body Diagram



- 采用先进的光学技术和精密机械电子技术
 - 三维全方位多角度观察，极大地提高了观察样品的细节程度
 - 无需倾斜就能360°全方位、大景深观察样品各个侧面的实时高分辨率动态图像
 - 可观察到传统镜头无法显示的位置，例如PCB贴片元器件下方、金属孔内部、侧壁等
 - 广泛用于SMT、PCB、BGA等表面贴装工业
- ◆ Advanced optical technology and precision machinery & electronics technology.
 - ◆ Three-dimensional whole azimuth multi-angle observation, level of detail of the observed greatly improved.
 - ◆ No tilt, able to 360° observe to get high-resolution, large depth of field real-time dynamic image of each side of the observed sample.
 - ◆ Available to observe the positions which tradition lens unable to display, such as the bottom of the PCB board, inside & side-wall of metal holes and etc.
 - ◆ Applied on SMT, PCB, BGA surface board assembly industries extensively.

技术规格 Technology Specifications

连续变倍范围 Zoom range	0.28X~1.875X
标准工作距离 Standard WD	26mm/45° ; 42mm/60°
光源 Illuminators	长寿命LED照明 Long life LED illumination
微型电机 Miniature motor	90V~260V宽电压输入,5转~27转/分钟, 无级调节 90V~260V wide input voltage, 5 ~ 27 turns/minute, stepless adjustment.
支架与主机配合尺寸 Holder and main body matching dimension	Φ45mm

光学参数 Optical specifications

主机型号 Zoom body model	MZDR0850/45°	MZDR0850/60°
CCD接头 CCD adapter	0.5X	
光学放大倍率 Optical Mag.	0.28X~1.875X	
视场范围(1/3"CCD) FOV(mm)	12.9X17.1~1.92X2.56	
观察角度 Observation angle	45°	60°
工作距离 WD(mm)	26	42